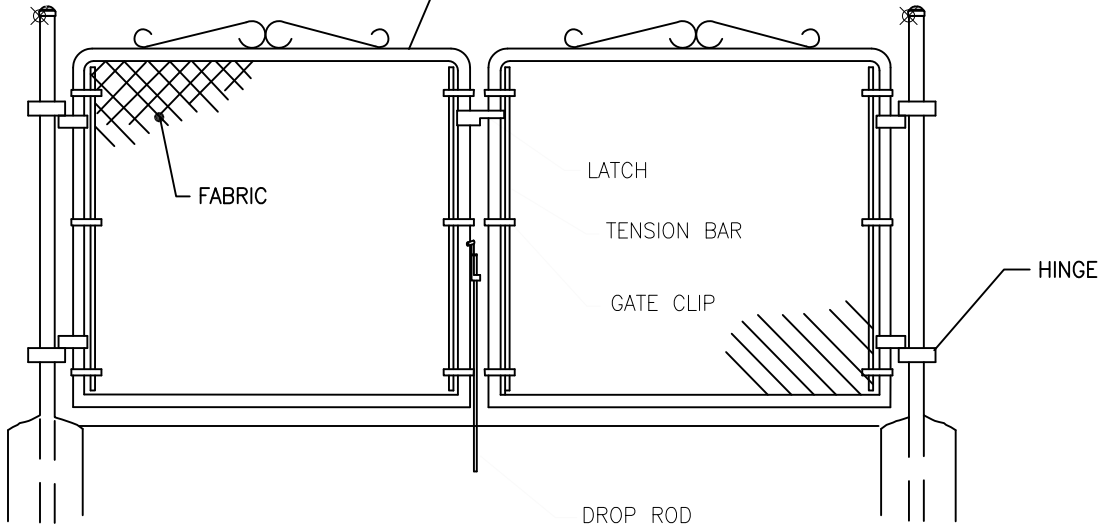


POST CAP

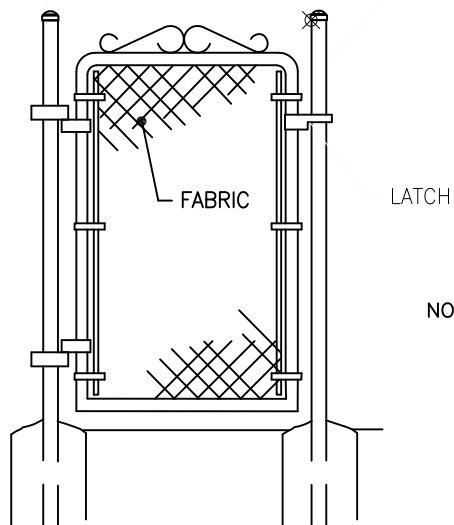
TUBULAR GATE FRAME



DOUBLE SWING GATE

POST CAP

GATE POST



NOTES:

1. 1 3/8" .047 Rail Typical
2. 12 GA Fabric Typical
3. Welded Bottoms and Bent Top of Frame

SINGLE SWING GATE



Drawn by: Brown, C	FENCE SUPPLY INC. www.fencesupplyinc.com	
Checked by: Wingo, C	437 E. HWY 80 SUNNYVALE, TEXAS 75182	
Date: October 30, 2008	Description: Chainlink Residential Bent Frame Gate	
Customer:	DWG. NO: of	SERIES: Chainlink
	APPLICATION: Residential / Commercial / Industrial	