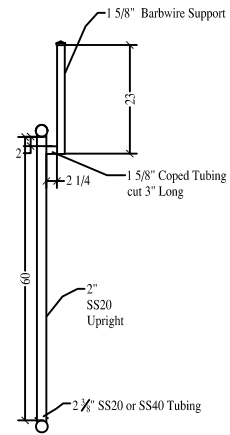
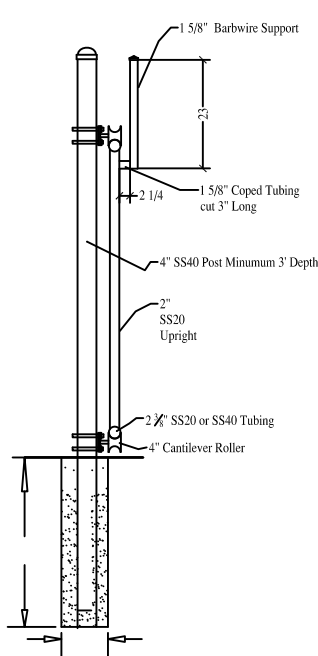


16 Gate Opening



Drawn by: Brown, C	FENCE SUPPLY INC. www.fencesupplyinc.com 437 E. HWY 80 SUNNYVALE, TEXAS 75182	
Checked by: Wingo, C	Description: Cantilever Gate 16' with 8' Tail	
Date: October 30, 2008	DWG. NO: of	SERIES: Wood
Customer:	APPLICATION: Commercial/ Industrial	