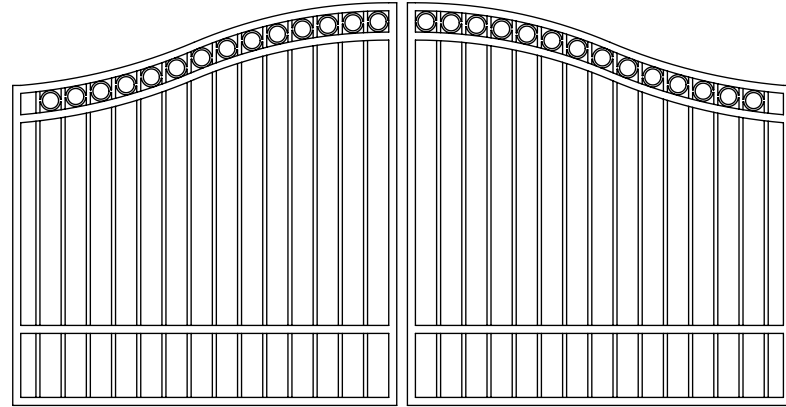
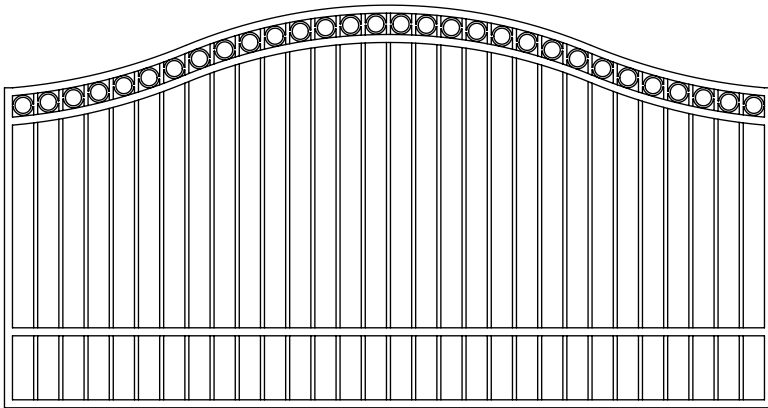


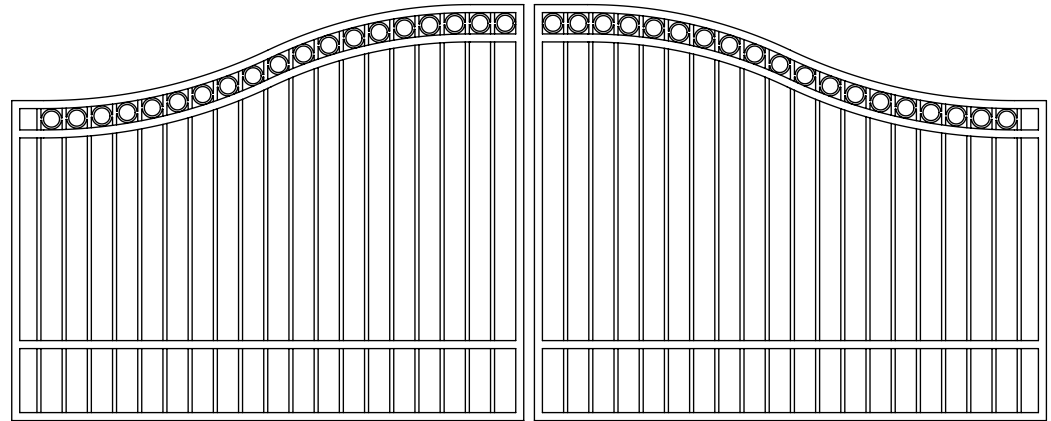
SINGLE, 10 FOOT



DOUBLE, 12 FOOT



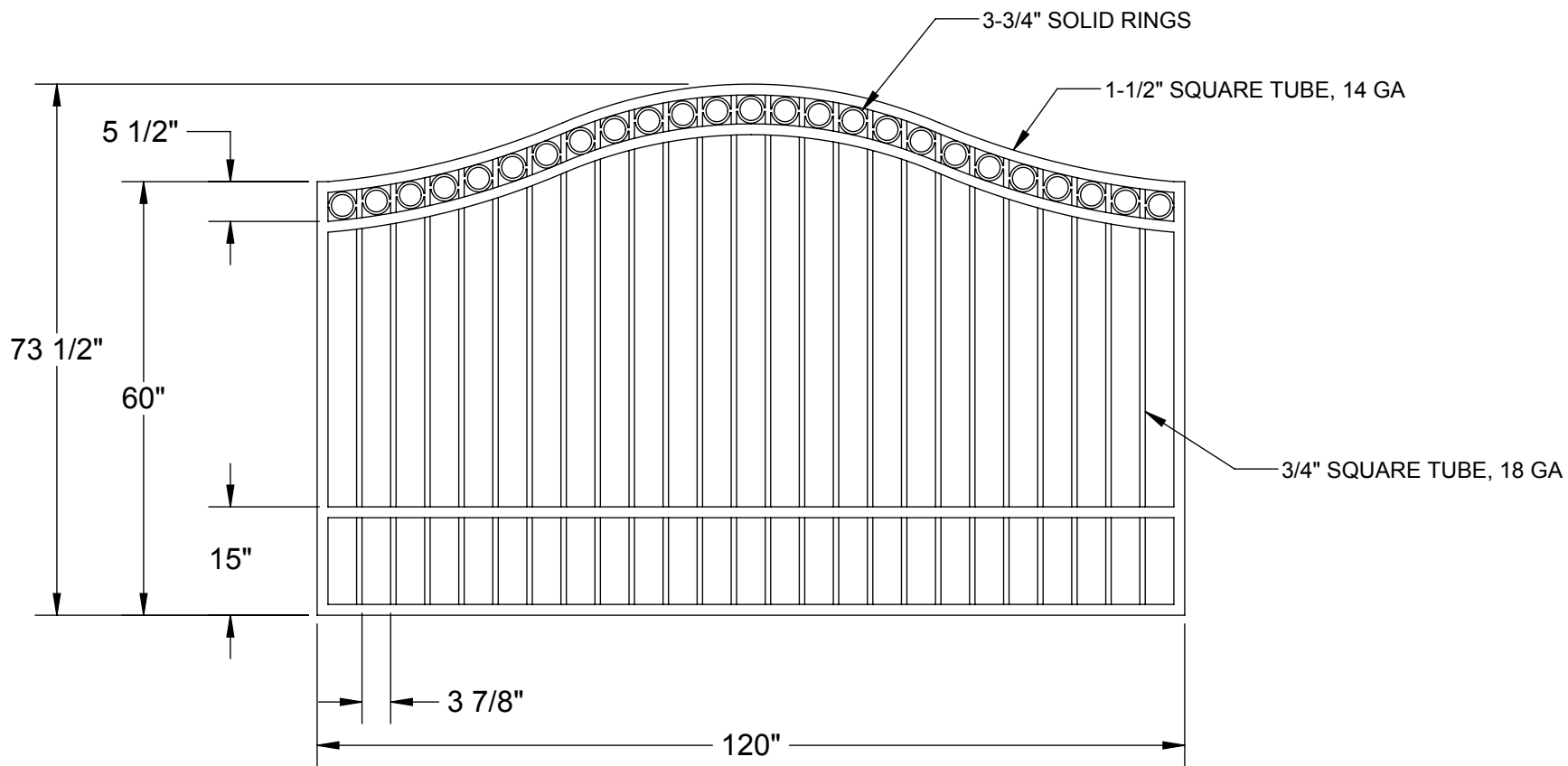
SINGLE, 12 FOOT



DOUBLE, 16 FOOT



DRAWN BY: WHETSTONE, J.	<b>KODIAK IRON</b>	<a href="http://www.kodiakiron.com">www.kodiakiron.com</a>
CHECKED BY: BROWN, C.		
DATE: 12/20/2013	DESCRIPTION: <b>ESTATE GATES</b>	
CUSTOMER: KODIAK IRON	SERIES: DENALI	SHEET: 1 OF 5
	APPLICATION: RESIDENTIAL/COMMERCIAL	



**KODIAK IRON**

[www.kodiakiron.com](http://www.kodiakiron.com)

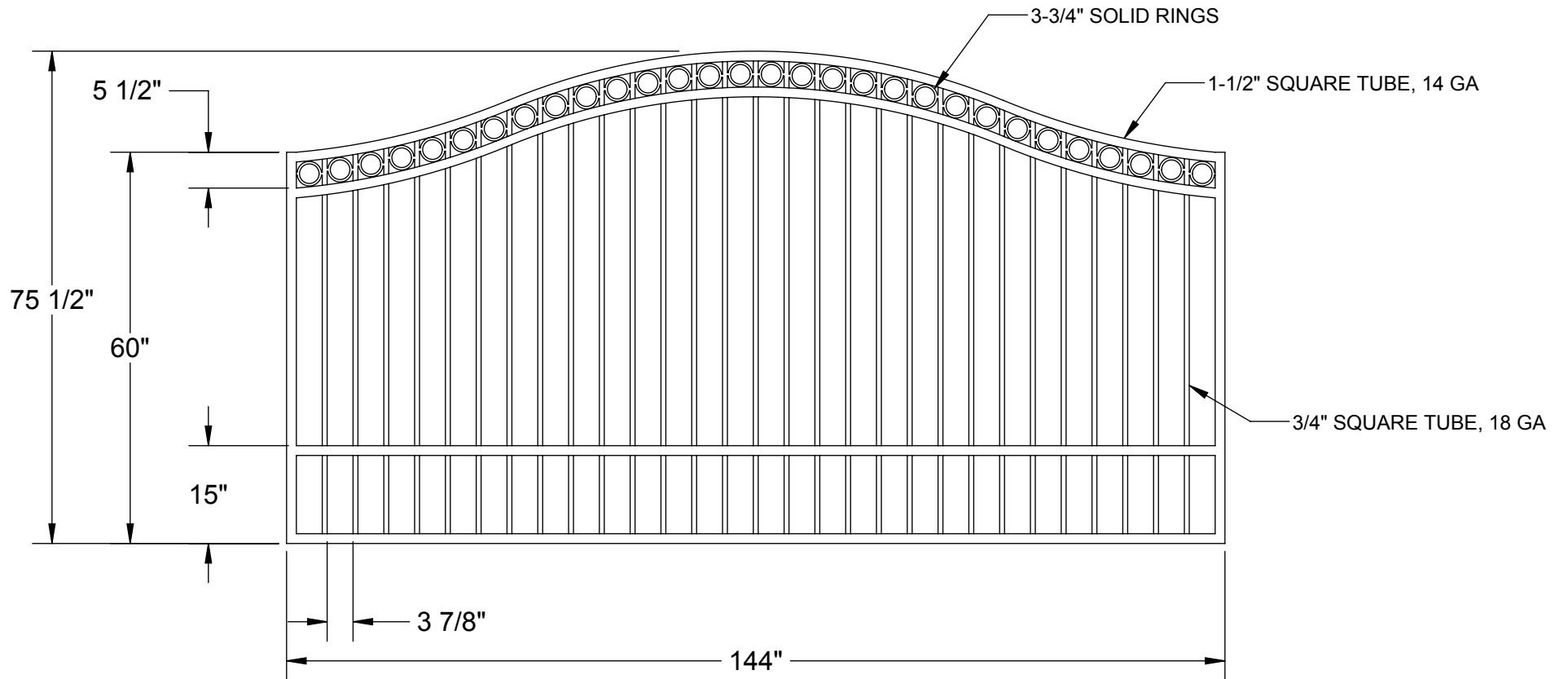
DESCRIPTION:

**ESTATE GATE  
 SINGLE, 10 FOOT**

SERIES: DENALI

SHEET: 2 OF 5

APPLICATION: RESIDENTIAL/COMMERCIAL



**KODIAK IRON**

[www.kodiakiron.com](http://www.kodiakiron.com)

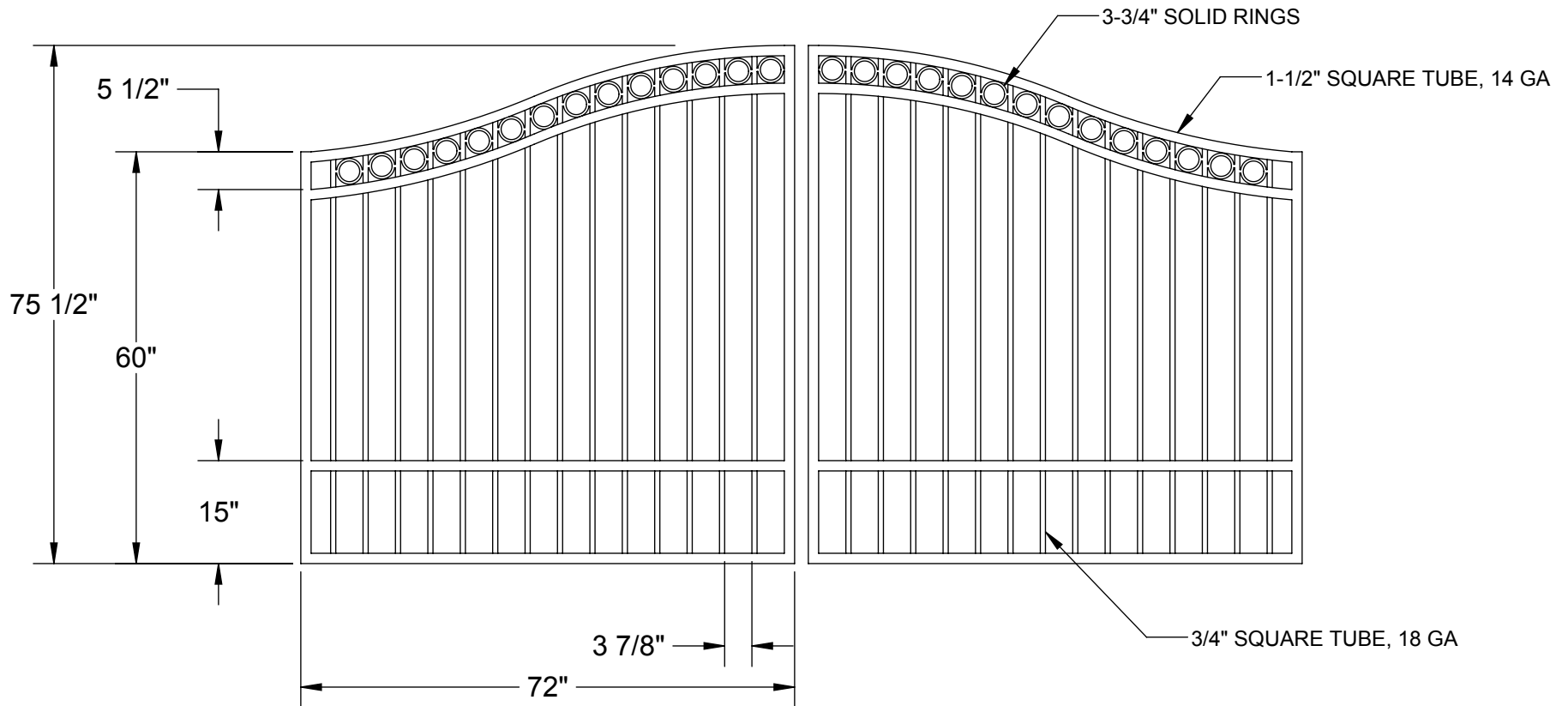
DESCRIPTION:

**ESTATE GATE  
 SINGLE, 12 FOOT**

SERIES: DENALI

SHEET: 3 OF 5

APPLICATION: RESIDENTIAL/COMMERCIAL



**KODIAK IRON**

[www.kodiakiron.com](http://www.kodiakiron.com)

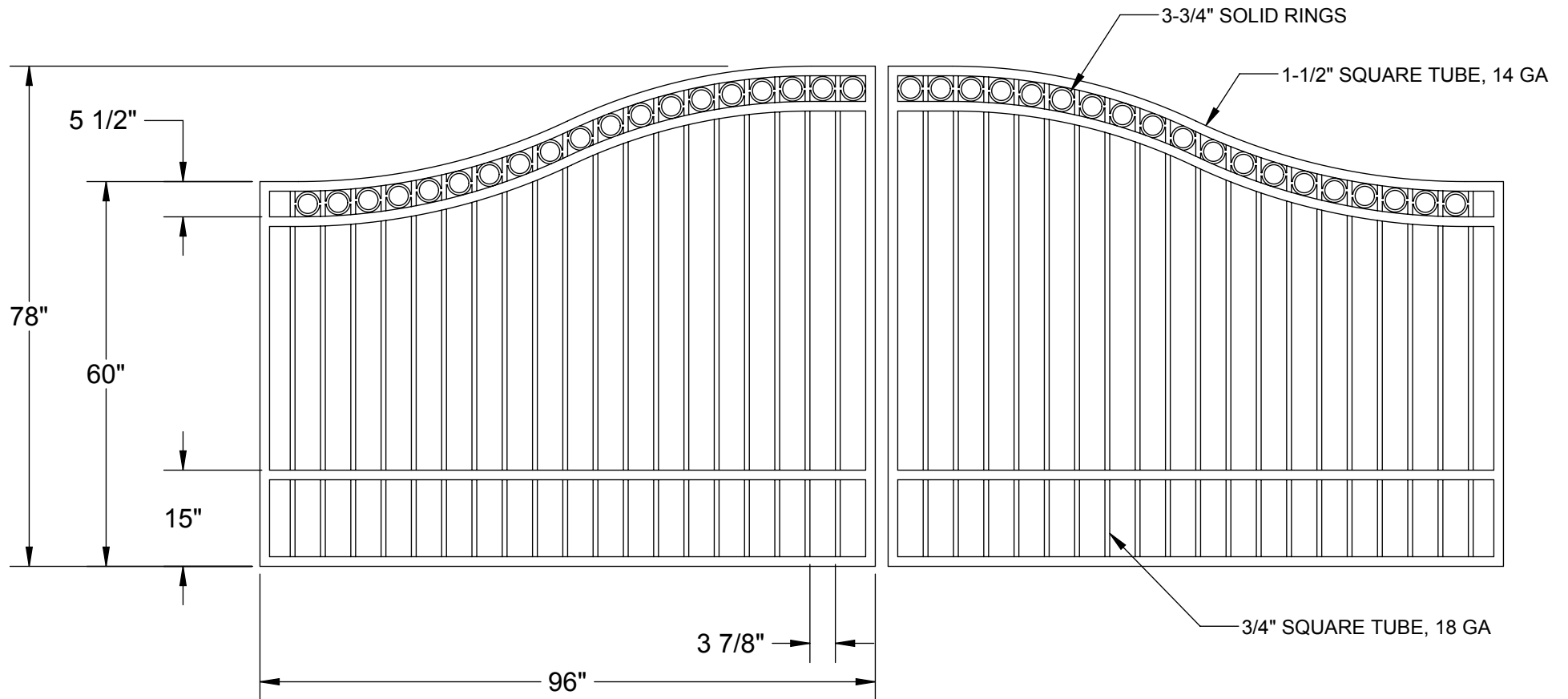
DESCRIPTION:

**ESTATE GATE  
DOUBLE, 12 FOOT**

SERIES: DENALI

SHEET: 4 OF 5

APPLICATION: RESIDENTIAL/COMMERCIAL



**KODIAK IRON**

[www.kodiakiron.com](http://www.kodiakiron.com)

DESCRIPTION:

**ESTATE GATE  
 DOUBLE, 16 FOOT**

SERIES: DENALI

SHEET: 5 OF 5

APPLICATION: RESIDENTIAL/COMMERCIAL