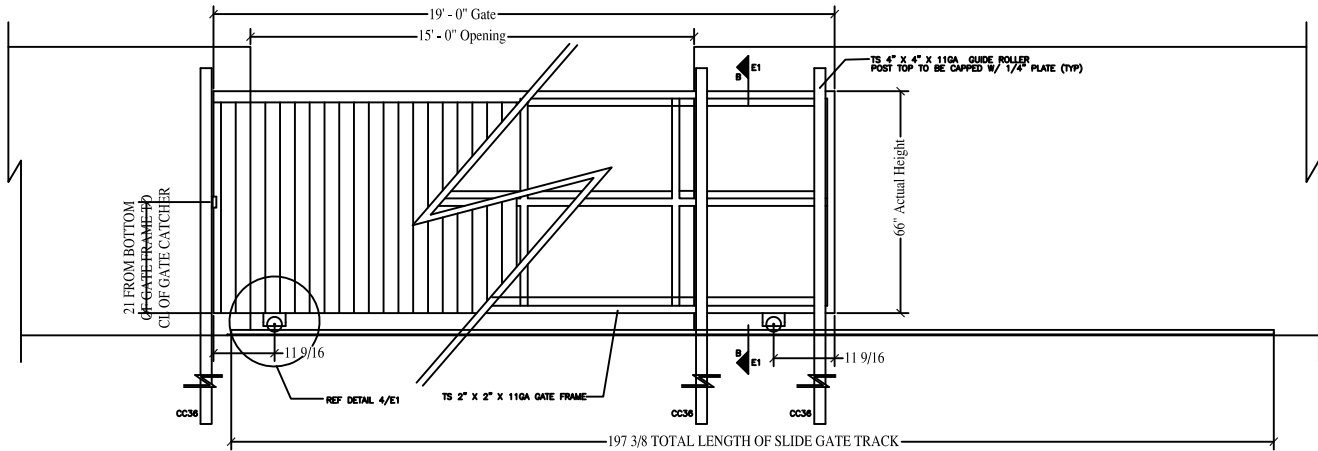
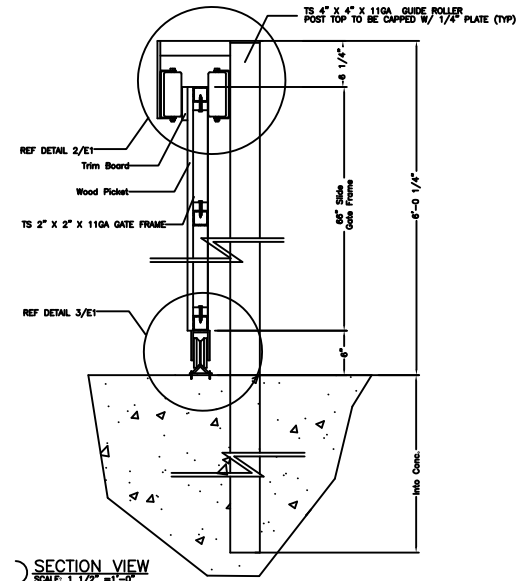
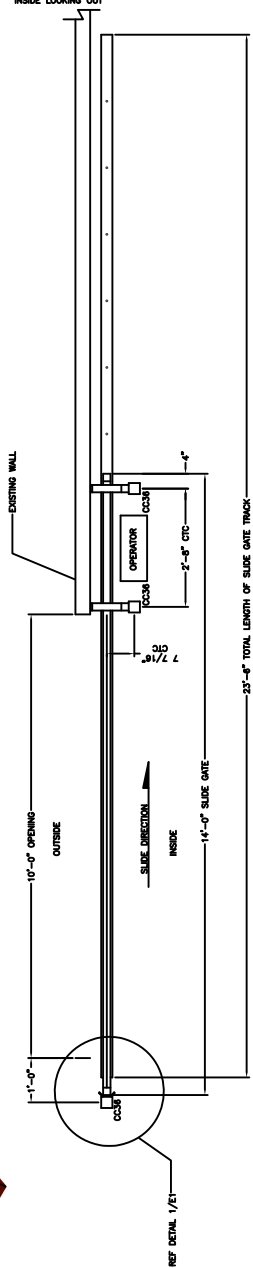


PLAN VIEW
 SLIDE GATE IN CLOSED POSITION
 SCALE: 3/4" = 1'-0"



A-A ELEVATION
 Slide Gate
 SCALE: 3/4" = 1'-0"
 INSIDE LOOKING OUT



Drawn by: Brown, C Checked by: Wingo, C Date: October 30, 2008	FENCE SUPPLY INC. www.fencesupplyinc.com 437 E. HWY 80 SUNNYVALE, TEXAS 75182	
	Description: Wood V Track Slide Gate	
Customer:	DWG. NO: of	SERIES: Wood
APPLICATION: Residential / Commercial / Industrial		