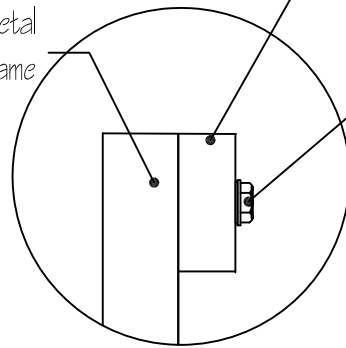
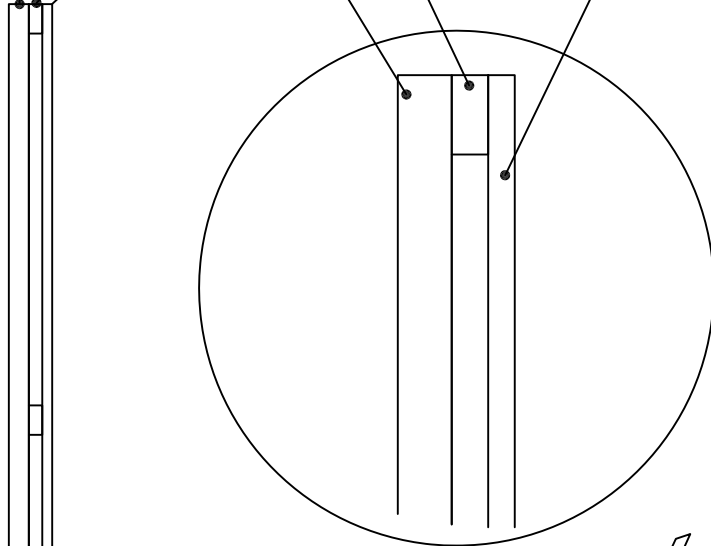


Steel Frame  
 2x4 or 2x3 Rails  
 Pickets (size customer option)

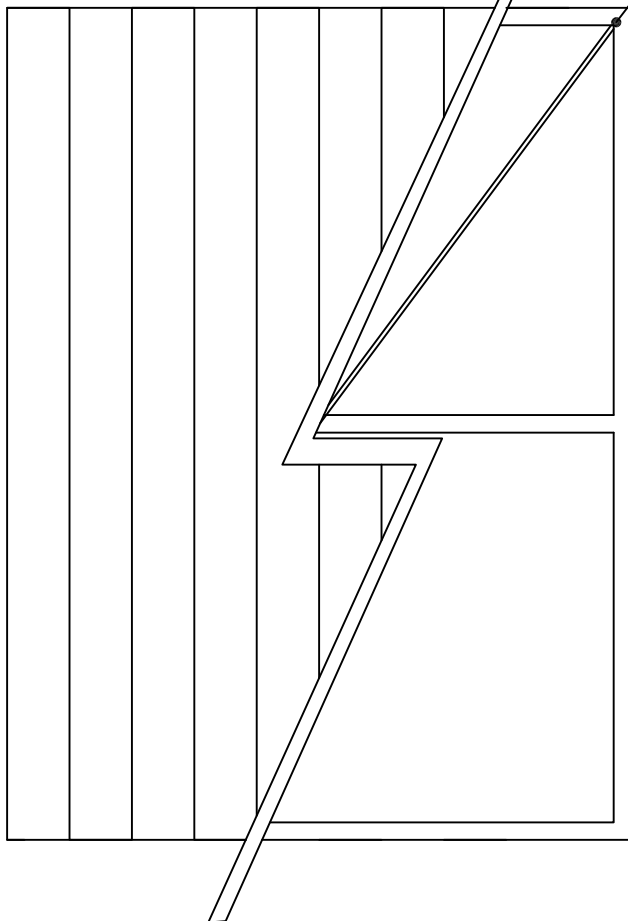
Wood Rail  
 Metal Frame  
 Self Drilling Screw



Truss Rod optional Recommended for gates over 5' Wide

1 5/8" .065 frame  
 2x2 square frame optional

Standard Frame size is  
 1 5/8" .065 other sizes  
 and thicknesses available.



Frame Size Options	
<input type="radio"/>	1 5/8"
<input type="radio"/>	1 7/8"
<input type="checkbox"/>	1 1/2" SQ
<input type="checkbox"/>	2" SQ



Drawn by: Brown, C	FENCE SUPPLY INC. <a href="http://www.fencesupplyinc.com">www.fencesupplyinc.com</a>	
Checked by: Wingo, C	437 E. HWY 80 SUNNYVALE, TEXAS 75182	
Date: October 30, 2008	Description: Steel Frame for Wood Picket	
Customer:	DWG. NO:   of	SERIES: Chainlink
	APPLICATION: Residential / Commercial / Industrial	