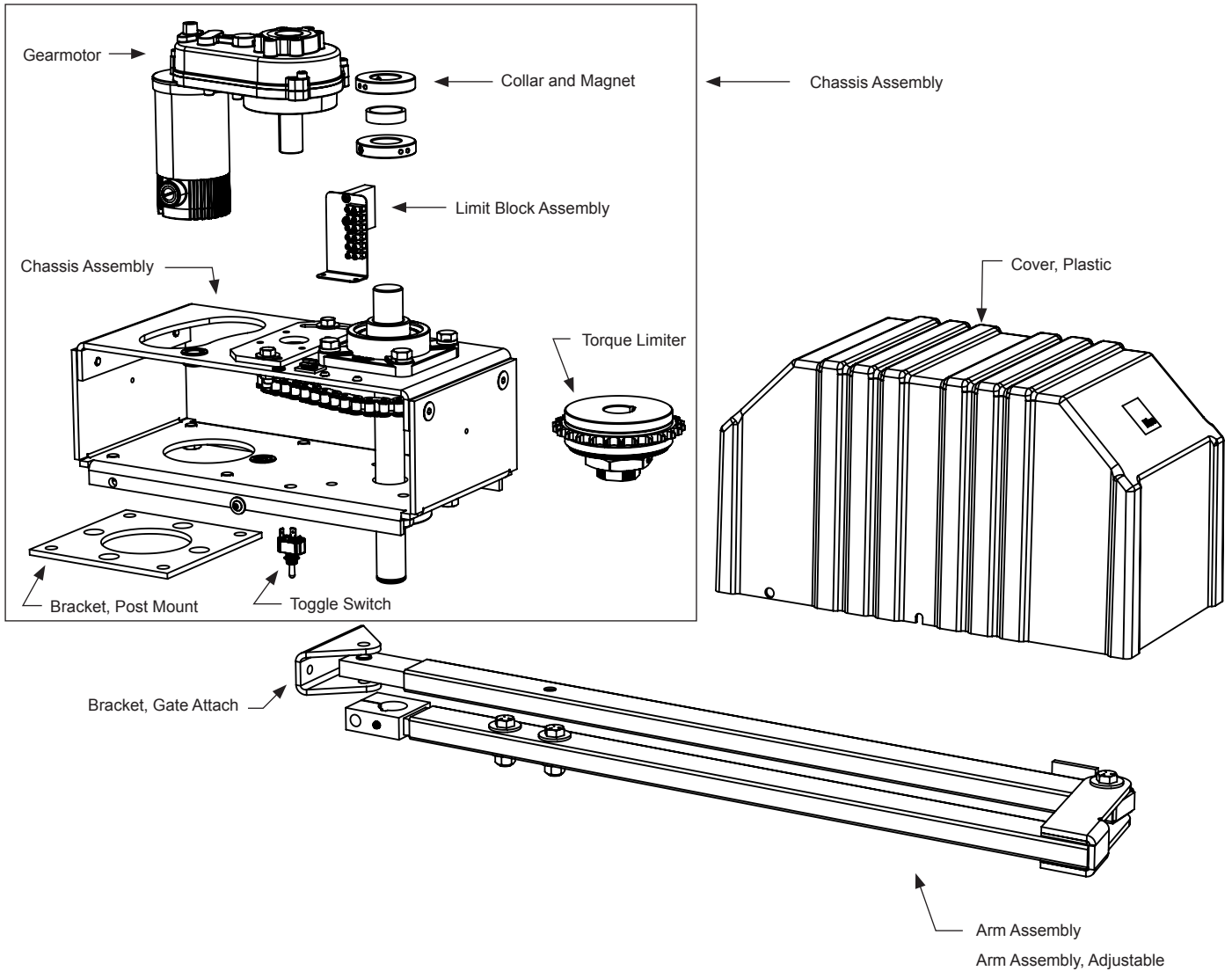




Nice **3501 Swing**
Part Diagrams

CHBOX350 Motor Chassis and ABOX35 Arm Assembly



This drawing is a representation and should be used for parts reference only.

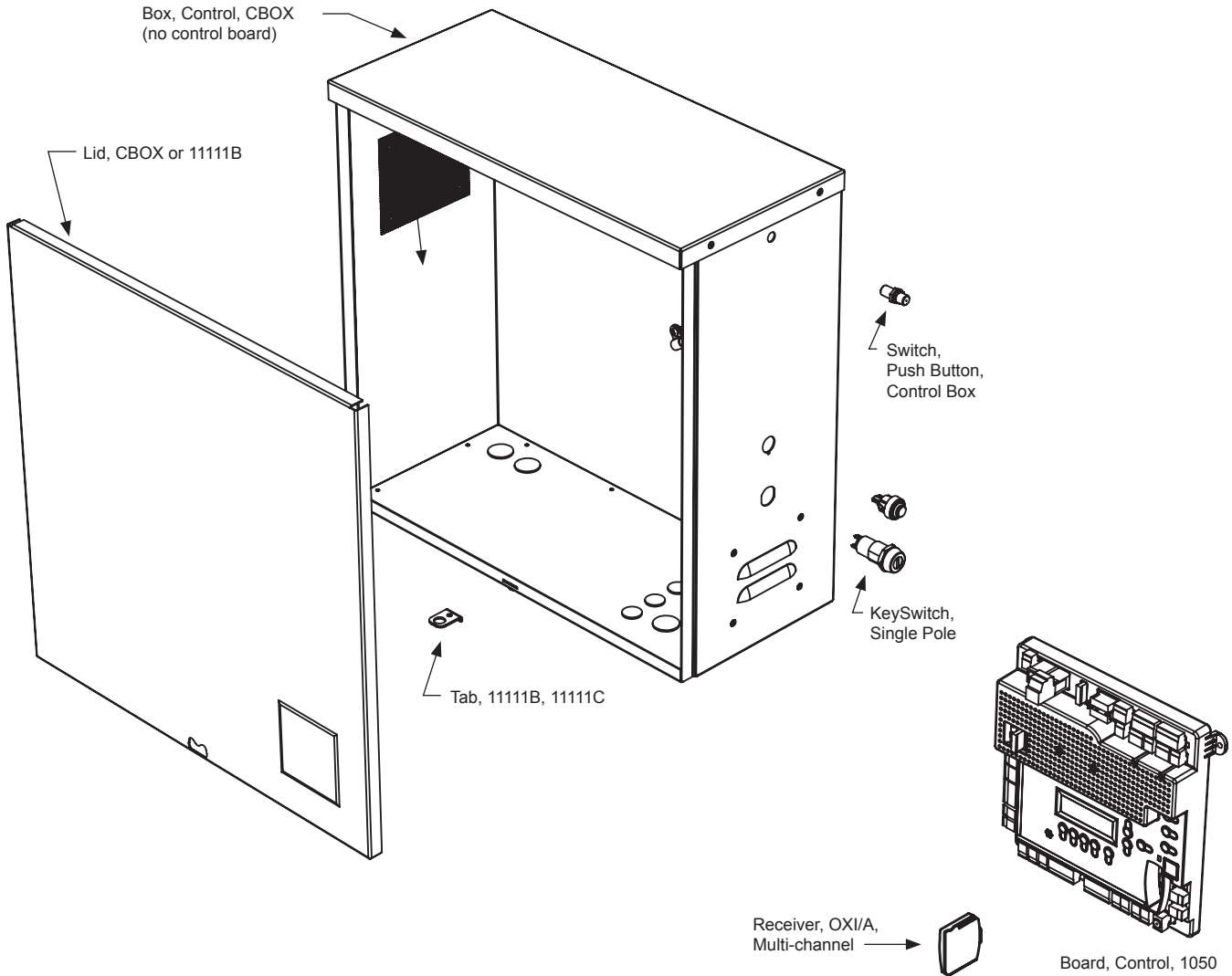
Part Name	Part Number	3501 Model
Arm Assembly	ABOX35	all
Arm Assembly, Adjustable	10021790	all
Bracket, Gate Attach Kit	10021290	all
Bracket, Post Mount	10038315	all
Chassis Assembly, 3501	CHBOX35	all
Collar and Magnet	10021490	all
Cover, Plastic	10031490	all
Gearmotor	73090005	all
Limit Block Assembly	10058890	all
Toggle Switch	10024290	all
Torque Limiter	10040690	all

Nice 3501 Swing

Part Diagrams



CBOX with Control Board



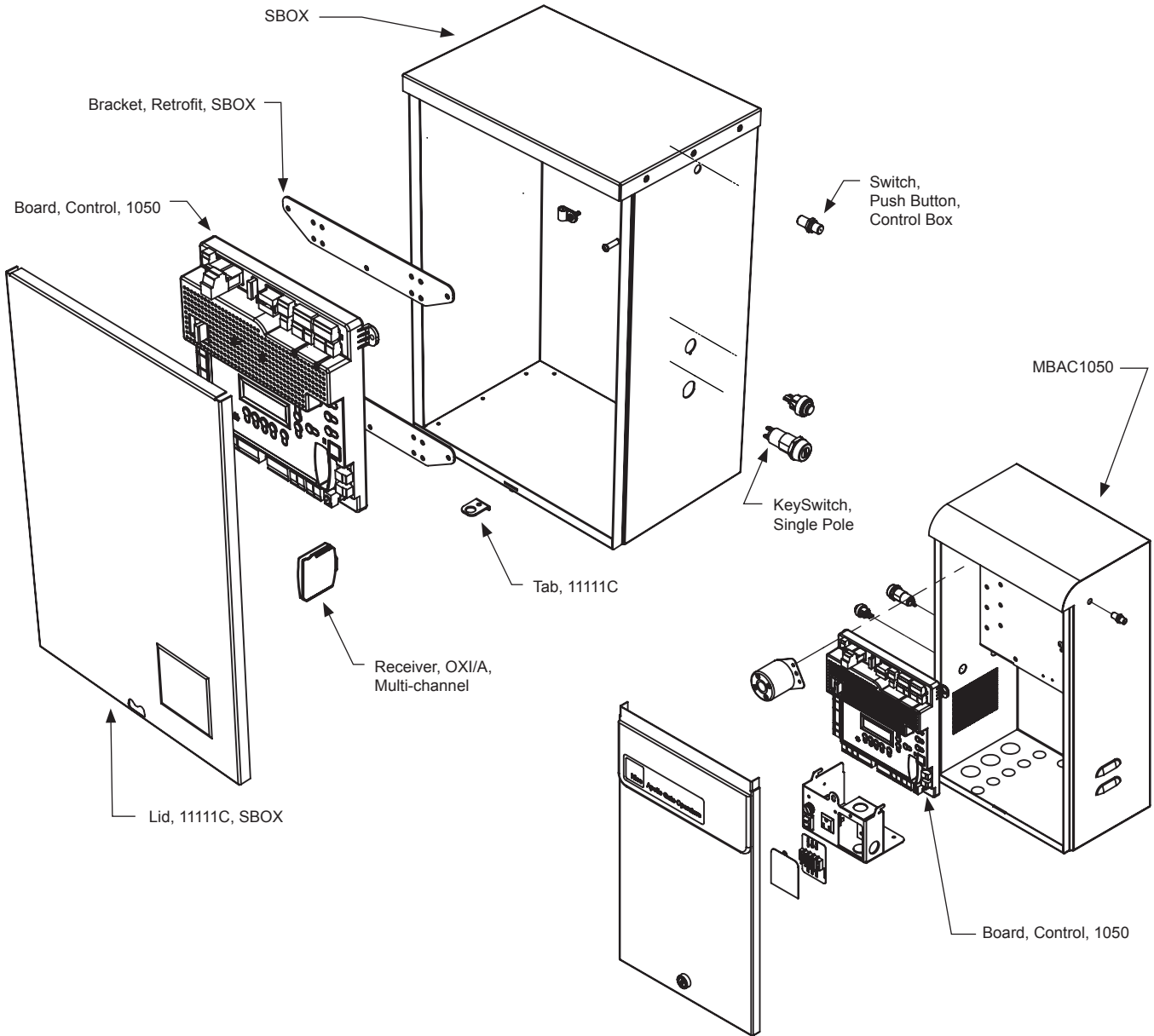
This drawing is a representation and should be used for parts reference only.

Part Name	Part Number	3501 Model
Board, Control, 1050	1050US	all
Box, Control, CBOX, No Control Board	11111B	all
Keyswitch, Single Pole	1115	all
Lid, 11111B, CBOX	10016215	all
Receiver, OXI/A, Multi Channel	OXI-A	all
Switch, Push Button, Control Box	1119	all
Tab, 11111B, 11111C	10020915	all



Nice **3501 Swing**
Part Diagrams

SBOX and MBAC Control Boxes



This drawing is a representation and should be used for parts reference only.

Part Name	Part Number	3501 Model
Board, Control, 1050	1050US	all
Bracket, Retrofit, SBOX	10054190	all
Keyswitch, Single Pole	1115	all
Lid, 1111C, SBOX	10026215	all
Receiver, OXI/A, Multi Channel	OXI/A	all
Switch, Push Button, Control Box	1119	all
Tab, 1111C	10024290	all